

TOPAZ PARTFILL

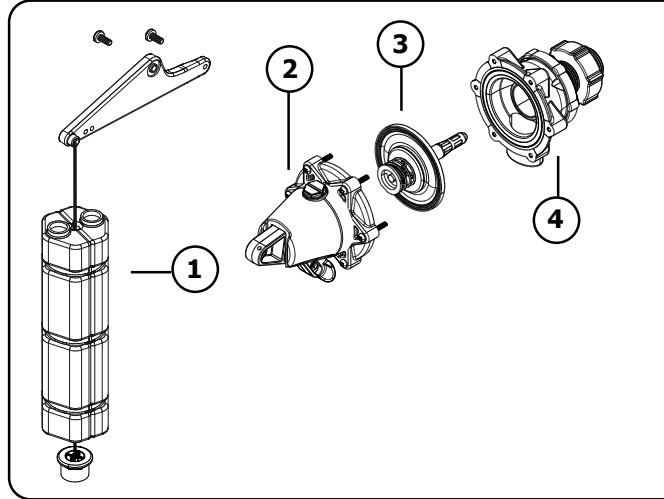
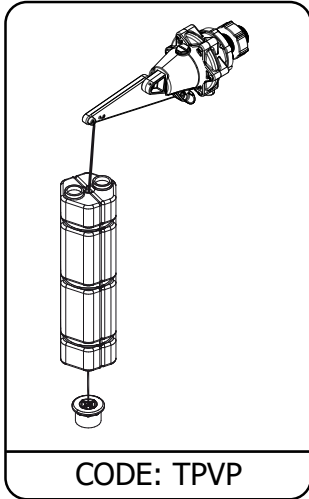
PARTS IDENTIFICATION SHEET



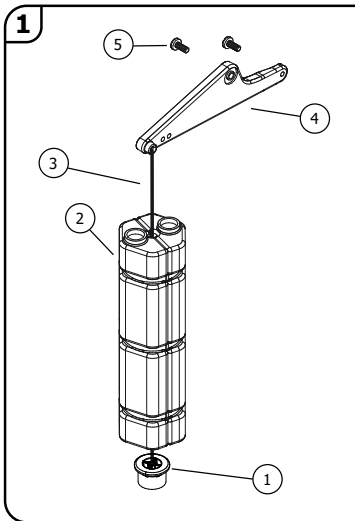
Jobe[™]
valves



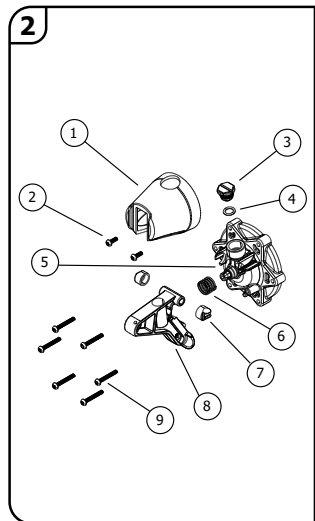
Partfill



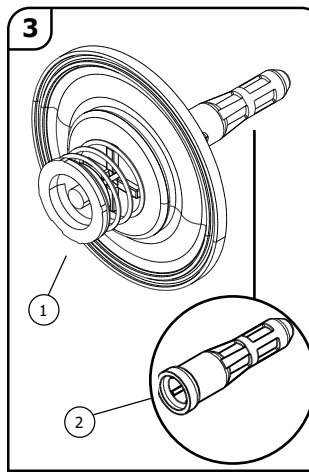
CODE	DESCRIPTION
1	TPPP1 Float, Arm & Stop Assembly
2	TPPP2 Cap & Actuator Cap Assembly
3	TPPP3 Diaphragm Assembly
4	Detach Base Assembly



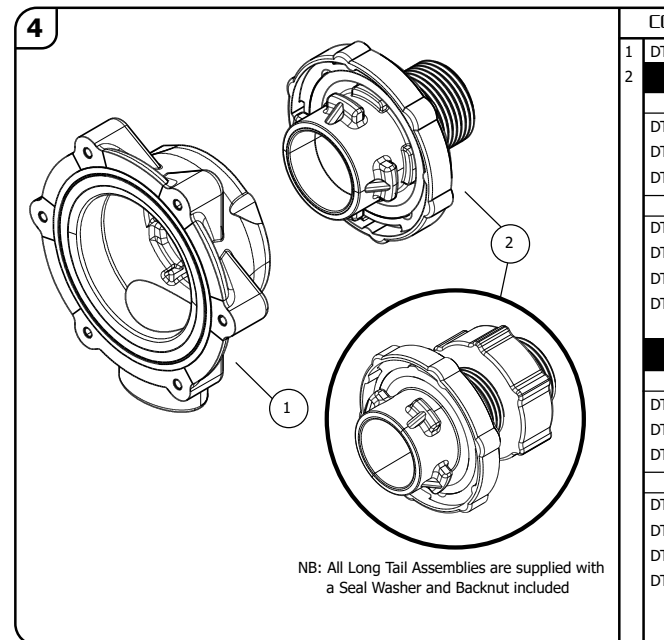
CODE	DESCRIPTION
1	TPPP010 Bottom Stop
2	TPPP020 Weighted Float
3	TPPP1020 Cord (2.5m)
4	TPPP1050 Arm Extension
5	TPP1040 M5 x 12 Bolt



CODE	DESCRIPTION
1	TPPP2011 Actuator Cap
2	TPPP2020 6g x 10 S/S Screw
3	TPP2030 Frost Pro Plug
4	TPP2040 Frost Pro O'ring
5	TPP2050 Valve Cap Assembly
6	TPPD2061 Damping Spring
7	TPP2080 Bearings (set of two)
8	TPP2090 Actuator Arm
9	TPP2100 6g x 25 S/S Screw



CODE	DESCRIPTION
1	TPP3 Diaphragm Assembly
2	TPP3010 Pilot Flow Filter (Fine)
	TPP3011 Pilot Flow Filter (Coarse)



CODE	DESCRIPTION
1	DTP1 Detach Base
2	BSP Tails
	Short Tail Assembly (BSP)
DTP020	Detach Tail 20mm(3/4") Short
DTP025	Detach Tail 25mm(1") Short
DTP032	Detach Tail 32mm(1 1/4") Short
	Long Tail Assembly (BSP)
DTP015L	Detach Tail 15mm (1/2") Long
DTP020L	Detach Tail 20mm (3/4") Long
DTP025L	Detach Tail 25mm (1" bsp) Long
DTP032L	Detach Tail 32mm (1 1/4" bsp) Long
	NPT Tails
	Short Tail Assembly (NPT)
DTP0075	Detach Tail 3/4" npt
DTP0100	Detach Tail 1" npt
DTP0125	Detach Tail 1 1/4" npt
	Long Tail Assembly (NPT)
DTP0050L	Detach Tail 1/2" npt Long
DTP0075L	Detach Tail 3/4" npt Long
DTP0100L	Detach Tail 1" npt Long
DTP0125L	Detach Tail 1 1/4" npt Long